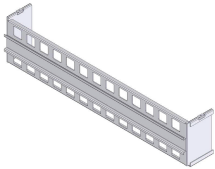
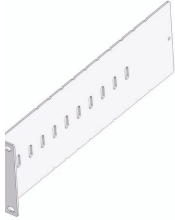




19" Rackmount Adjustable DIN-Rail Bracket

			
(1) Rackmount DIN-Rail Chassis x 1	(2) Rackmount Chassis Holder x 2	(3) M4x5 Flathead Screw x 2	(4) M3x6 Screw x 2

